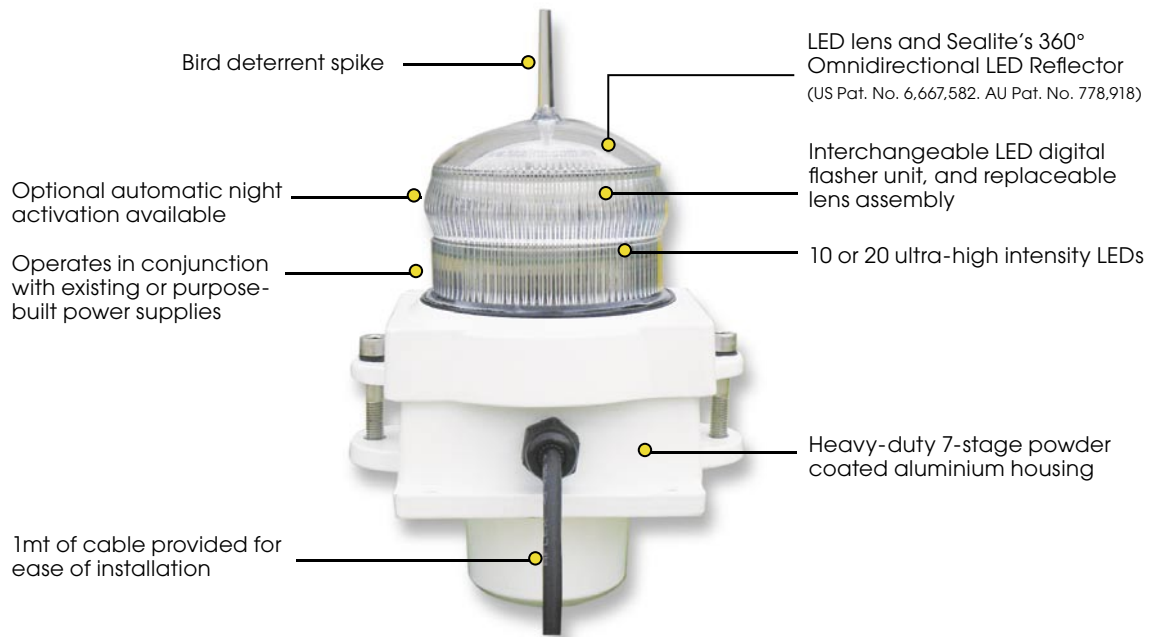


SL10 Heavy-Duty LED Light Fixture



The SL10 is a heavy-duty LED Light Fixture designed to operate in conjunction with existing or purpose-built power supplies and offer maintenance-free service over a wide range of environmental conditions.

With a variable range of 1 to 4nm, a maintenance-free light source and 256 user-adjustable flash codes, the SL10 series of LED lights is the preferred choice of buoy manufacturers seeking to fit a heavy-duty marine lantern to existing or independently designed power sources.

The SL10 is also available in a number of configurations, colours and cable lengths and is the perfect replacement for obsolete incandescent lights in extreme environments.



SL10 Dual Pier Lights, Harwich Harbour, United Kingdom



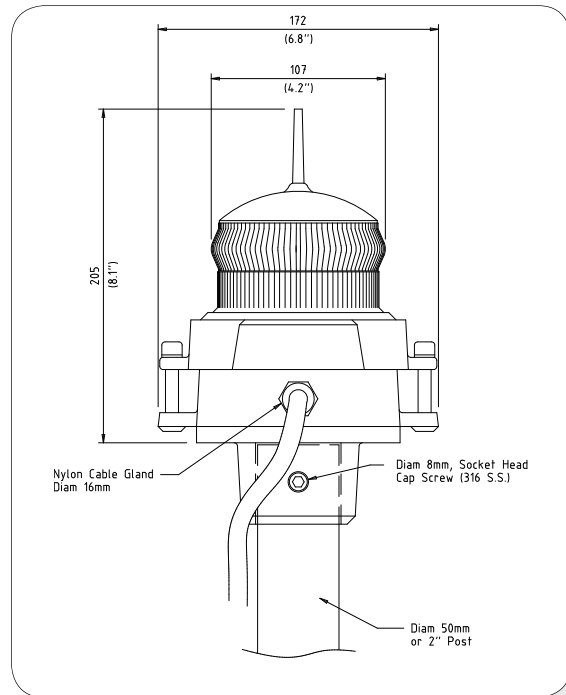
Head Office:
Sealite Pty Ltd
AUSTRALIA

Ph. +61 3 5977 6128
Fax. +61 3 5977 6124
Internet: www.sealite.com.au
Email: info@sealite.com.au

USA Customers;
Sealite USA
USA (Gifford, NH)

Ph. (603) 524-6066
Fax. (603) 524-8100
Internet: www.sealiteusa.com
Email: info@sealiteusa.com

SL10 Heavy-Duty LED Light Fixture



SPECIFICATIONS •

Light Characteristics

Light Source

Available Colours
Peak Intensity (cd)
Visible Range (nm)
Horizontal Output (degrees)
Vertical Divergence (degrees)
Reflector Type
Available Flash Characteristics
Intensity Adjustments
LED Life Expectancy (hours)

10 ultra-high intensity LEDs (standard)
20 ultra-high intensity LEDs (SL10-20)
Red, Green, White, Yellow, Blue
Refer to table on page 44
>4
360
9
Omnidirectional 360° LED Reflector (US Pat. No. 6,667,582. AU Pat. No. 778,918)
Up to 256 IALA recommended (user adjustable)
Adjustable in 25% increments
100,000

Electrical Characteristics

Current Draw (mA)
Circuit Protection
Operating Voltage (v)

Refer to table on page 44
Integrated
12

Physical Characteristics

Body Material
Lens Material
Lens Diameter (mm/inches)
Lens Design
Mounting
Height (mm/inches)
Width (mm/inches)
Mass (kg/lbs)
Product Life Expectancy

7-stage powder-coated aluminium
LEXAN® Polycarbonate - UV stabilised
107 / 4¹/₄
External optics with interior flute design
50mm OD pole
205 / 8¹/₈
172 / 6³/₄
3 / 6²/₃
Up to 12 years

Certifications

CE
Quality Assurance

EN61000-6-3:1997. EN61000-6-1:1997
ISO9001:2000

Intellectual Property

Patents
Trademarks

US Pat. No. 6,667,582. AU Pat. No. 778,918
SEALITE® is a registered trademark of Sealite Pty Ltd

Warranty

3 years

Options Available

- Hard wire or GPS synchronisation
- 200mm OD mounting plate
- Additional cable
- Integrated photodiode

CE

• Specifications subject to change or variation without notice

Head Office:
Sealite Pty Ltd
AUSTRALIA

Ph. +61 3 5977 6128
Fax. +61 3 5977 6124
Internet: www.sealite.com.au
Email: info@sealite.com.au

USA Customers;
Sealite USA
USA (Gilford, NH)

Ph. (603) 524-6066
Fax. (603) 524-8100
Internet: www.sealiteusa.com
Email: info@sealiteusa.com



SL07 / SL10 LED Light Fixture Configurations •

Model		Description	Intensity	Colour	LEDs	Power Amp/hour	Voltage
SL07.1.R	SL10.1.R	1nm LED Light Fixture	1.5cd	RED	10	0.009	12v
SL07.1.G	SL10.1.G	1nm LED Light Fixture	1.5cd	GREEN	10	0.009	12v
SL07.1.W	SL10.1.W	1nm LED Light Fixture	2.5cd	WHITE	10	0.009	12v
SL07.1.Y	SL10.1.Y	1nm LED Light Fixture	1.4cd	YELLOW	10	0.009	12v
SL07.2.R	SL10.2.R	2nm LED Light Fixture	7cd	RED	10	0.035	12v
SL07.2.G	SL10.2.G	2nm LED Light Fixture	7cd	GREEN	10	0.035	12v
SL07.2.W	SL10.2.W	2nm LED Light Fixture	9cd	WHITE	10	0.035	12v
SL07.2.Y	SL10.2.Y	2nm LED Light Fixture	6cd	YELLOW	10	0.035	12v
SL07.3.R	SL10.3.R	3nm LED Light Fixture	23cd	RED	20	0.120	12v
SL07.3.G	SL10.3.G	3nm LED Light Fixture	23cd	GREEN	20	0.120	12v
SL07.3.W	SL10.3.W	3nm LED Light Fixture	30cd	WHITE	20	0.120	12v
SL07.3.Y	SL10.3.Y	3nm LED Light Fixture	19cd	YELLOW	20	0.120	12v
SL07.4.R	SL10.4.R	4nm LED Light Fixture	45cd	RED	20	0.220	12v
SL07.4.G	SL10.4.G	4nm LED Light Fixture	46cd	GREEN	20	0.220	12v
SL07.4.W	SL10.4.W	4nm LED Light Fixture	55cd	WHITE	20	0.220	12v
SL07.4.Y	SL10.4.Y	4nm LED Light Fixture	43cd	YELLOW	20	0.220	12v

• Specifications subject to change or variation without notice

Order codes:

FX: Fixed light on power-up.

FL: Flashing or steady light on power-up. Excl. photodiode. 24hr operation. 256 IALA adjustable flash characteristics.

FL-S: Flashing or steady light on darkness. Incl. photodiode for automatic darkness activation
256 IALA adjustable flash characteristics.

Eg. SL07.3.W-FL-S:

Denotes SLO7 3nm light. WHITE. Adjustable flash rates with photodiode.

