

Avlite's Solar Aviation Lighting Series are available in a variety of configurations to suit many installations including obstruction, hazard and perimeter lighting.

The AV23, the largest of this series, meets the >10cd requirement for a steady-on obstruction light and performs exceptionally well in low sun-light regions. The large 12watt adjustable tilt solar module ensures maximum solar radiation collection in accordance to latitude. Coupled with LED technology and a highly efficient DC/DC converter, the AV23 may provide over 5 days of continuous operation without sunlight (steady-on).

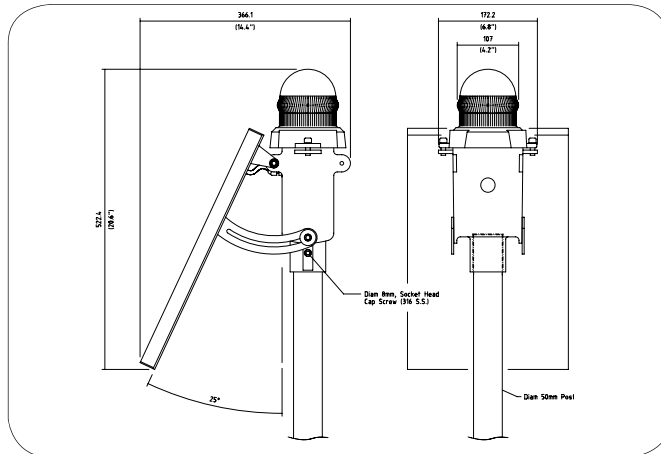
The battery and solar module system of all these Solar Aviation Lighting Series models means that each product is completely self-contained, saving users considerably in electricity and maintenance costs. As with all Avlite lights, these units use an LED 360 degree reflector (US Pat. No. 6,667,852 and AU Pat. No. 778,918) which increases the intensity and uniformity of the horizontal output.

During daylight hours the solar module will charge the battery through an advanced switch-mode regulator incorporated into the flasher unit. The lantern will automatically begin operation at dusk – once the ambient light threshold drops sufficiently.



Solar hazard and perimeter lights available in a range of configurations.

Solar Aviation Lighting Series



AV23 Model

SPECIFICATIONS •

Light Characteristics

Light Source	20 ultra-high intensity LEDs
Flash Color	Red, Green, White, Yellow
Intensity	>10cd (steady-on)
Horizontal Output	360 degrees
Vertical Divergence	9 degrees
Flash Settings	Available in a variety of flash settings including steady-on
Lamp Life	100,000 hours

Electrical Characteristics

Circuit Protection	Microprocessor controlled
Operating Voltage	12v
Current Draw	90mA nominal
Autonomy	5 days

Solar

Solar Module Type	Polycrystalline
Output	12watt

Power Supply

Battery Type	SLA (Sealed Lead Acid)
Battery Capacity	7.5Ah
Battery Voltage	12v

Physical Characteristics

Body Material	7-stage powdercoated aluminium
Lens Material	U.V. stabilised / optical grade polycarbonate
Mounting	50mm OD pole. Optional base plate.
Height (cm/inches)	52.2/20.6
Width (cm/inches)	36.6/14.4
Mass (Kg/lbs)	7/15.4

Certifications

CE	EN61000-6-3:1997, EN61000-6-1:1997
Quality Assurance	ISO9001:2000

Intellectual Property

Patents	US Pat. No. 6,667,582. AU Pat. No. 778,918
Trademarks	AVLITE is a trademark of Avlite Systems



• Specifications subject to change or variation without notice